



D 250 AHGA



www.ausa.com

AUSA Center, S.L. ● Ctra. de Vic, Km 2.8 - P.O.B. 194. 08243 Manresa - BARCELONA (ESPAÑA) Tel.: +34 93 874 73 11 - E-mail: ausa@ausa.com

ISO 9001

ISO 14001



(Sede central AUSA-Manresa)

AUSA Madrid ● Pol. Ind. Coslada - C. Marconi 15-17. 28823 Coslada - MADRID (ESPAÑA) Tel.: +34 91 669 00 06 - E-mail: ausa.madrid@ausa.com

AUSA France ● Z. I. Saint Charles - Rue de Zürich, 66000 PERPIGNAN (FRANCE) Tel.: +33 (0) 4 68 54 38 97 - E-mail: ausa.france@ausa.com

AUSA Deutschland ● Heinrich - Welken Str. 5. 59069 HAMM (GERMANY) Tel.: +49 (0) 2384-9889905 - E-mail: ausa.deutschland@ausa.com

BEIJING Rep. Office ● Address Room 527. HengXiang Building, Tuanjiehu Nanli, Chaoyang District. - BEIJING 100026 (CHINA)

Tel.: 86-10-8597 1983 - Fax: 86-10-8597 1993 - E-mail: ausa.china@ausa.com

AUSA UK ● Tel.: 07970639988 - E-mail: ausa.uk@ausa.com

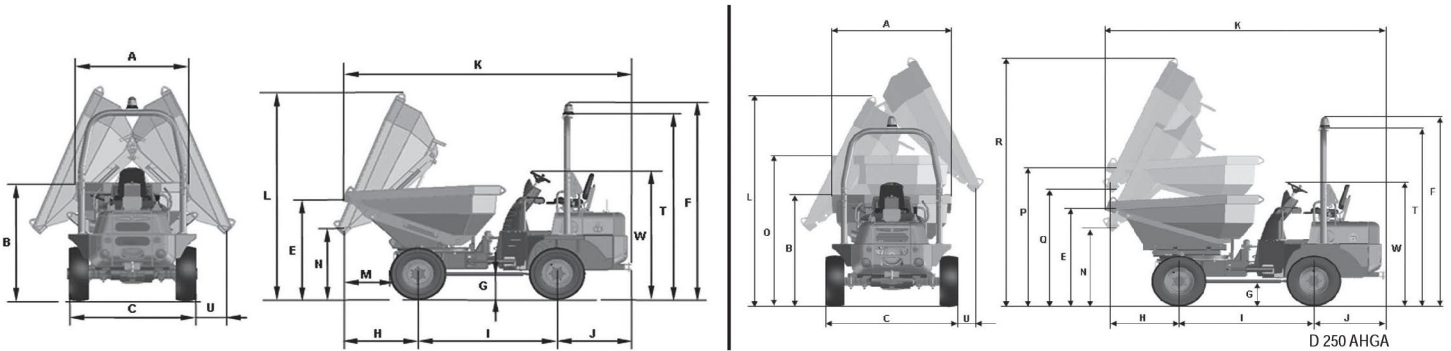




D 250 AHGA_2500 Kg



DIMENSIONS (mm)		D 250 AHGA
A		1695
B		1700
C		1875
E		1540
F		2924
G		363
H		980
I		1920
J		995
K		4000
L		3230
M		590
N		1250
T		2705
U		250
W		1909
O		2300
P		2140
Q		1850
R		3830



TECHNICAL SPECIFICATIONS

		D 250 AHGA
Load capacity (Kg)		2500
Unloading system		Hydraulic tipping
Chassis		Articulated and oscilating
Hopper capacities (l)	Water	817
	Levelled	1246
	Heaped	2063
Engine	Diesel	Kubota V2403M
	Power acc./SAE J 1995 (KW/HP)	36.5 / 49.6
	N° of Cylinders	4
	Cooling system	Water
Traction		4 x 4 permanent
Transmission		2-speed hydrostatic. Front-reverse direction electro-hydraulic operated. Axles with planetary reduction on differential output
Engine starting system		Electric
Speed (max.) (km/h)		20
Unladen weight (Kg)		2960
Gradient negotiable (with full load)		70 %
Hydraulic circuit		Gear pump of 12 cc. Working pressure 180 bar
Tyres	Front	10,0/75-15.3
	Rear	10,0/75-15.3
External turning circle		4330
Steering		Hydraulic Working pressure 110 bar
Tank capacity (l)	Fuel	44
	Hydraulic fluid	40
Service brake		Oil-immersed, multidisc, hydraulically operated
Parking brake		Oil-immersed, multidisc, mechanically operated
STANDARD EQUIPMENT		Foldable ROPS arch Anti vandal system Ergonomic seat with safety belt Rotating beacon Audible reverse warning
OPTIONAL EQUIPMENT		Lighting equipment Towing hitch Electronic antitheft protection system