

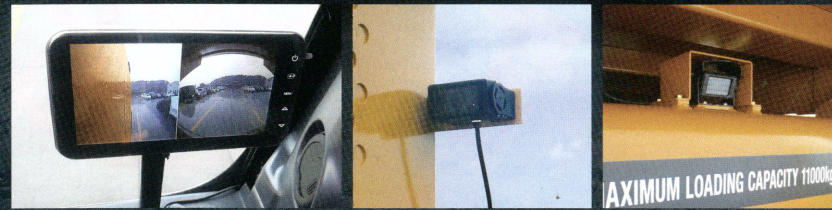
# MST-2200VDR

## High Traction Force!! **360°** Rotation Crawler Carrier



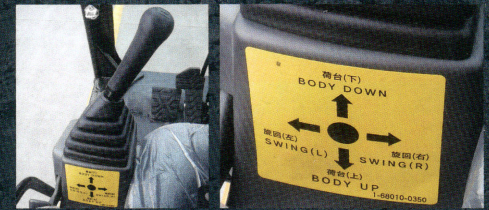
**Rearview Camera with Good Visibility**

7 inch monitor with side and rear view



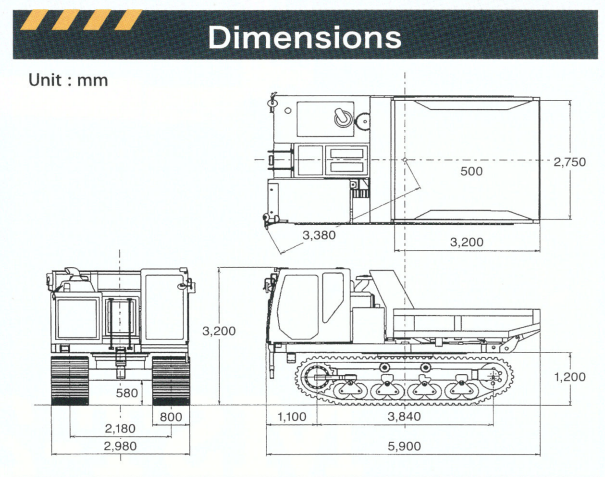
**Rotation and dumper hybrid lever**

Single lever controls dumper and rotation



Specifications		MST-2200VDR
Model		MST-2200VDR
Machine Weight	kg	16,000
Max. Payload	kg	11,000
Engine Model		CAT C7.1 Acert Tier 4 Int.
Nominal Output/rpm	kw/rpm	186/ 2,200
Overall Length	mm	5,900
Overall Width	mm	2,980
Overall Height	mm	3,200
Dump Body	mm	3,120 × 2,750 × 500
Min. Ground Clearance	mm	580
Rotation Radius	mm	3,380
Crawler Width	mm	800
Drive System		HST
Speed Low/High	km/h	8 / 10
Ground Pressure(Empty)	kPa	35.4
Fuel Tank Capacity	liter	300

● Materials and specifications are subject to change without prior notice.



# MOROOKA

Morooka Co., Ltd.

Postal Code : 301-0031  
 358 Shoubeeshindenmachi, Ryugasaki city, Ibaraki Prefecture, Japan  
 TEL : +81-297-66-2111 FAX : +81-297-66-3110  
 URL : www.morooka.co.jp (Japanese)  
 www.morooka.com (English)  
 Email : info@morooka.co.jp

**CONTACT**