



TECHNICAL SHEET



PERFORMANCE

Max working height	14,9 m
Max working outreach	6,9 m
Max load on the basket	230 kg
Jib movement	90°
Turret rotation	± 178° (Tot. 356°)
Basket rotation	N.A.
P Max slope to stabilize	7° / 12%
Tracks enlargement (optional)	0.30 m
W Max ramp slope (attack)	13° / 23%
X Max slope to travel	17° / 30%
Max transversal slope to travel	5,5° / 10%
Max travel speed	0,7 / 1,5 / 1,7 km/h



DIMENSIONS

A Basket height	1,10 m
B Basket width	0,70 m
C Basket length	1,20 m
D Total length	4,12 m
E Total length without basket	3,48 m
F Height in driving position	1,97 m
G Total width (without basket)	0,78 m
H Free height from the ground	0,34 m
I Tracks (LxP)	1,21 x 0,18 m
J Max longitudinal stabilization	2,7 m
K Max cross stabilization	2,7 m
Stabilizers plate Ø	0,18 m



WEIGHTS

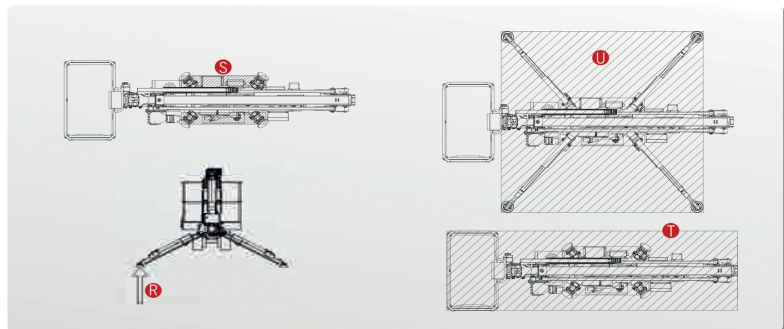
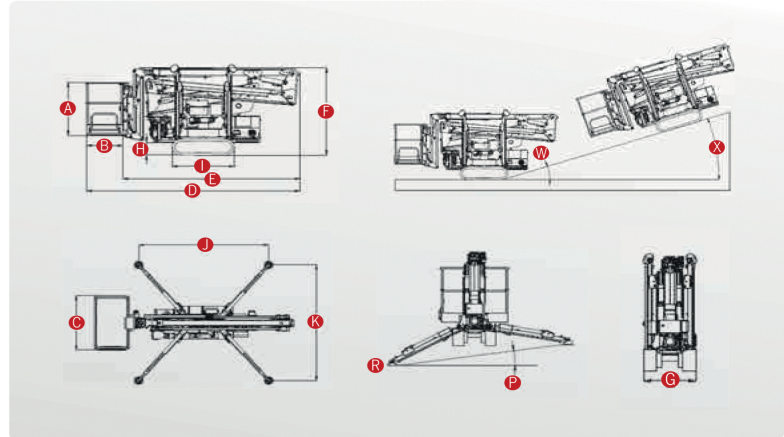
Total weight 2.060 kg / 4.541 lb (Kubota)

(R) Max pressure on the foot	4,54 kg/cm <sup>2</sup> - 44,5 N/cm <sup>2</sup>
(S) Max pressure on the track	0,21 kg/cm <sup>2</sup> - 2,06 N/cm <sup>2</sup>
(T) Max pressure in travel	312 kg/ m <sup>2</sup> - 3,06 kN/m <sup>2</sup>
(U) Max pressure in work	246 Kg/ m <sup>2</sup> - 2,61 kN/m <sup>2</sup>



POWER

Standard power  
Fuel tank capacity 6,1 L



MAX LOAD

⊕ ⊕ ⊕ ⊗ 230 kg / 507 lb

