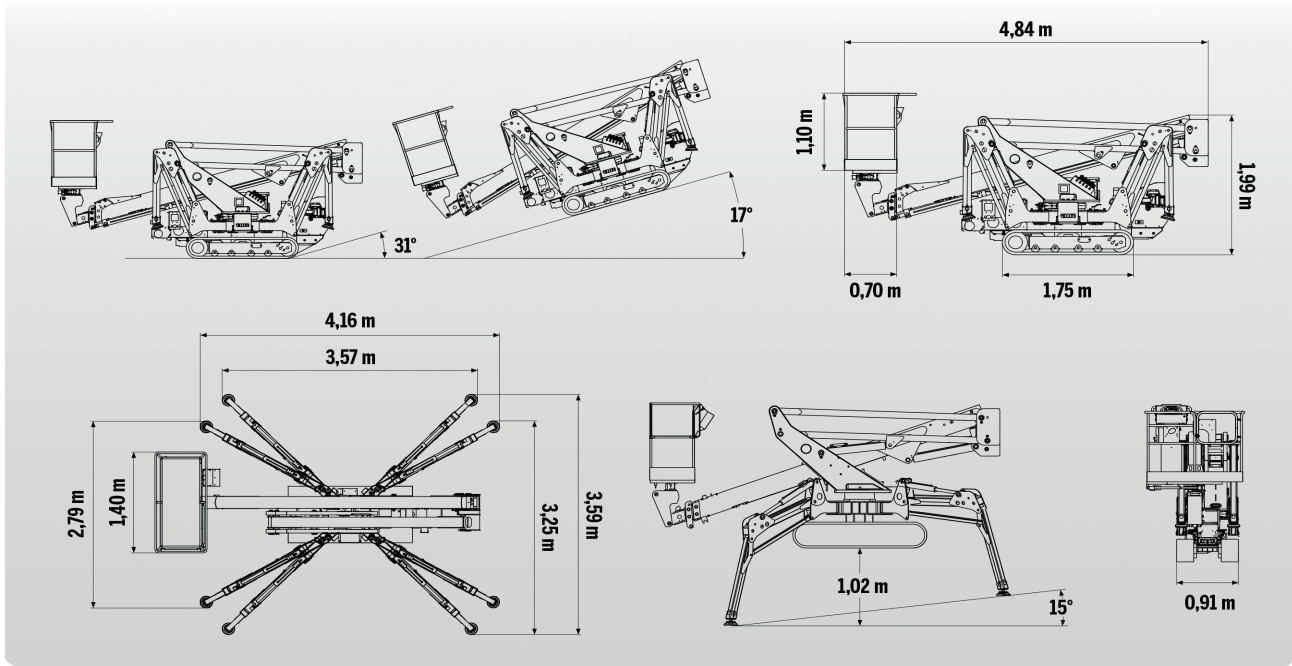


S19HD

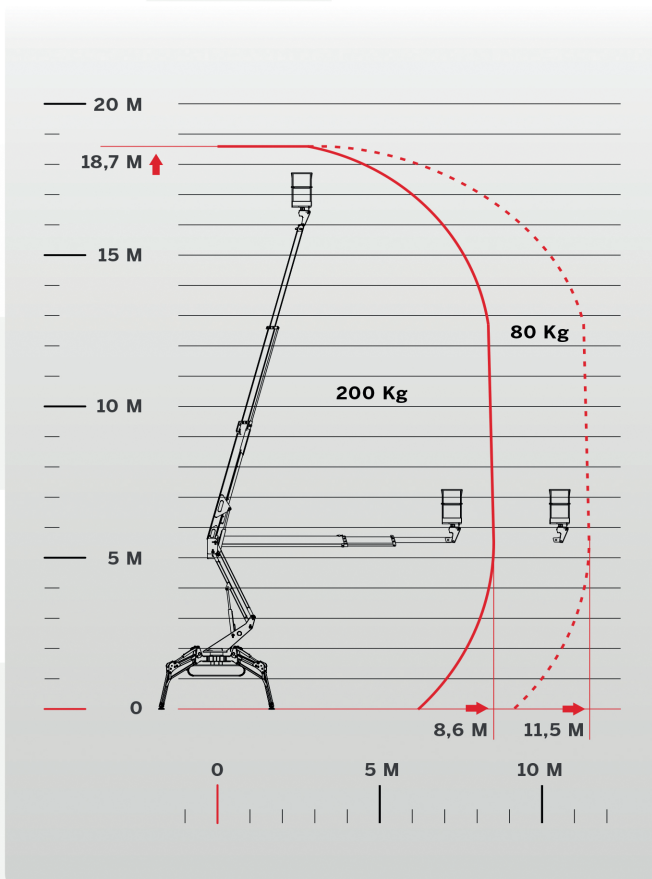


TECHNICAL DATA



MAXIMUM LOAD

200 KG + + 40 KG 80 KG



PERFORMANCE

	18,70 m		+90°/-87° optional
	11,50 m		+/-360° (720°)
	200 Kg		2700 Kg
	1,4x0,7x1,1 m		

