

Self-Propelled Articulating Booms

Z™-33/18

Specifications

| Model | Z-33/18 |
|-------|---------|
|-------|---------|

| Measurements | Metric |
|------------------------------------|---------|
| Working height maximum* | 12 m |
| Platform height maximum | 10 m |
| Horizontal reach maximum | 5.57 m |
| Up and over clearance maximum | 4.28 m |
| A Platform length | 0.76 m |
| B Platform width | 1.17 m |
| C Height - stowed | 1.98 m |
| D Length - stowed | 4.17 m |
| E Width | 1.50 m |
| A Wheelbase | 1.90 m |
| A Ground clearance - center | 15.2 cm |

Productivity

| | |
|--|-------------|
| Lift capacity | 200 kg |
| Turntable rotation | |
| Turntable tailswing at counterweight | zero |
| Turntable tailswing - riser up | 0.15 m |
| Turntable tailswing - riser down | 1.16 m |
| Drive speed - stowed | 5.2 km/h |
| Drive speed - raised retracted** | 0.87 km/h |
| Drive speed - raised extended** | 0.23 km/h |
| Gradeability - stowed*** | |
| Turning radius - inside | 1.9 m |
| Controls | |
| Tires (solid rubber, non-marking, treaded) | 56x23x43 cm |

Power

| | |
|-------------------------|---|
| Power source | 48 V DC (eight 6 V X 8 batteries 350 Ah capacity) |
| Drive system | AC Drive, 48V 3 phase |
| Auxiliary power unit | 24 V DC |
| Hydraulic tank capacity | 20.8 L |

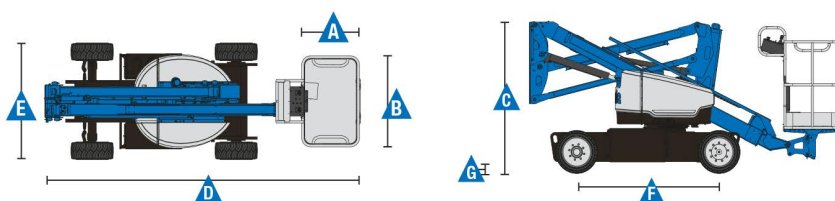
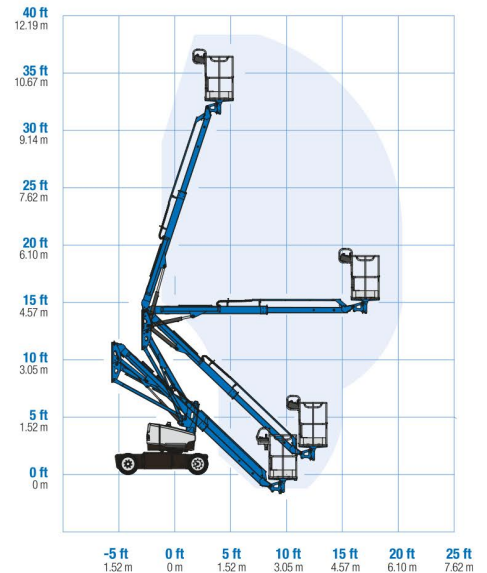
Weight****

| | |
|--|----------|
| | 3,665 kg |
|--|----------|

Standards Compliance

ANSI A92.5, CSA B354.4, EN 280, AS 1418.10

Range Of Motion Z-33/18



* The metric equivalent of working height adds 2 m to platform height. U.S. adds 6 ft to platform height.
 ** In lift mode (platform raised), the machine is designed to operate on firm, level surfaces only.
 *** Gradeability applies to driving on slopes. See operator's manual for details regarding slope ratings.
 **** Weight will vary depending on options and/or country standards.